

气动滑台 GMXS系列 Air Slide Table GMXS Series

型材 · SUS Tube
Profile · SUS Tube

支架模组
Stents Module

快换
Quick Changer

夹具组件
Grip Module

气动剪刀
Air Nipper

真空组件
Vacuum Module

附件
Accessory Components



型号 Model	GMXS6	GMXS8	GMXS12	GMXS16	GMXS20	GMXS25
缸径(mm) Bore size (mm)	Ø 6x2 (相当于Ø 8)	Ø 8x2 (相当于Ø 11)	Ø 12x2 (相当于Ø 17)	Ø 16x2 (相当于Ø 22)	Ø 20x2 (相当于Ø 28)	Ø 25x2 (相当于Ø 35)
配管连接口径 Piping port size	M3 x 0.5		M5 x 0.8			Rc1/8
使用流体 Fluid	空气 Air					
动作方式 Action	双作用 Double acting					
最高使用压力 Maximum operating pressure	0.7MPa					
最低使用压力 Minimum operating pressure	0.15MPa					
环境和流体温度 Ambient and fluid temperatures	-10~+60°C(但未冻结) (No freezing)					
活塞速度 Piston speed	50~500mm/s					
缓冲 Action	橡胶缓冲 (标准) Rubber buffer (standard)					
润滑 Lubrication	不需要 Non-lube					

- *可选择带可调行程装置 (0~5mm)。
- *双气缸设计, 2倍输出力, 体积小。
- *气缸及工作台相结合, 使整体尺寸减小。
- *采用十字滚柱导轨设计, 摩擦力小, 气缸与工作台之间没有空隙存在, 适合精密组装。
- *可从三面安装。
- *内置磁环型, 可安装磁性开关。

- *Optional with adjustable stroke device (0-5mm)
- *Double cylinder with 2 times output force, thin volume
- *The combination of cylinder and worktable reduces the overall size
- *Roller slider design, small friction, no gap between cylinder and worktable, suitable for precise assembly
- *Can install from 3 sides
- *Built-in ring, can install magnetic switch

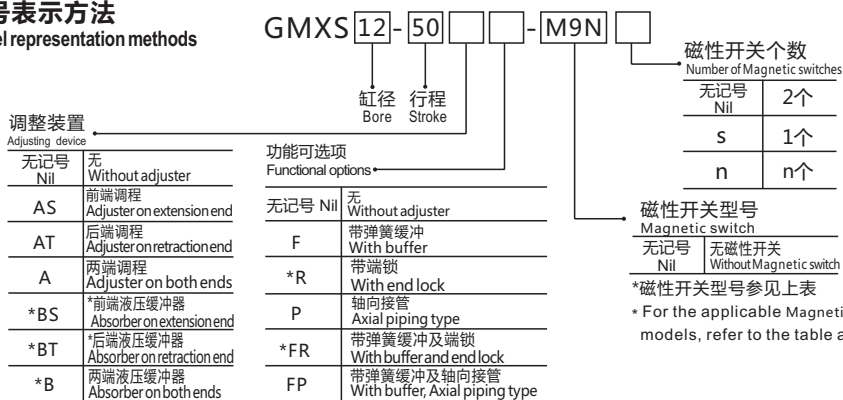
*如需润滑, 请用透平1号油ISOVG32。
*Please use turbine No.1 oil ISOVG32 if need.

选择表/Selection table

缸径 Bore size (mm)	行程 stroke (mm)								功能可选项 Functional options				磁性开关型号 Magnetic switch		
	10	20	30	40	50	75	100	125	150	行程调整装置 Adjustable stroke device (0~5mm)	弹簧缓冲 With buffer	带端锁 With end lock	轴向接管 Axial piping	直接安装 Install directly	
Ø 6x2	●	●	●	●	●	●	●	●	●	●	●	●	●	2线 2-wire	3线 3-wire
Ø 8x2	●	●	●	●	●	●	●	●	●	●	●	●	●	D-M9B D-M9BL D-M9BV D-M9BVL	D-M9N D-M9NL D-M9NV D-M9NVL D-M9P D-M9PL D-M9PV D-M9PVL
Ø 12x2	●	●	●	●	●	●	●	●	●	●	●	●	●		
Ø 16x2	●	●	●	●	●	●	●	●	●	●	●	●	●		
Ø 20x2	●	●	●	●	●	●	●	●	●	●	●	●	●		
Ø 25x2	●	●	●	●	●	●	●	●	●	●	●	●	●		

型号表示方法

Model representation methods



*GMXS6无液压缓冲器
*GMXS6 without hydraulic buffer

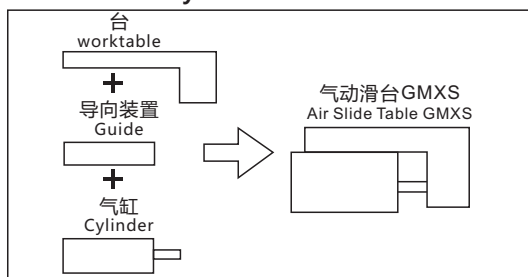
*GMXS6无端锁式
*GMXS6 without locking

注)磁性开关的规格及特性参见磁性开关系列。在磁性开关型号后面, 附导线长度表示记号: 无记号-0.5m, L-3m, Z-5m。例: A96, A96L

Note) The specification and characteristics of magnetic switch can refer to the series of magnetic switch. At the end of the model of magnetic switch, the length mark of conductor is attached: Nomark-0.5m, L-3m, Z-5m Example: A96, A96L

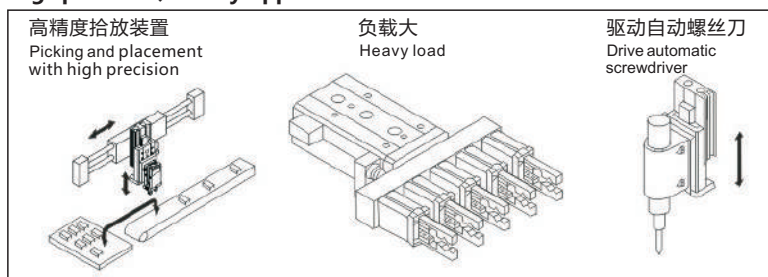
气缸及工作台组合

Combination of cylinder and worktable



高精度、坚固的应用

High precision, sturdy application



气动滑台 GMXS系列 Air Slide Table GMXS Series

图1 集中负载质量: W(kg)
Fig. (1) Load Mass: W (kg)

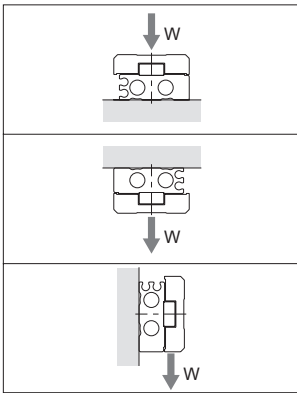
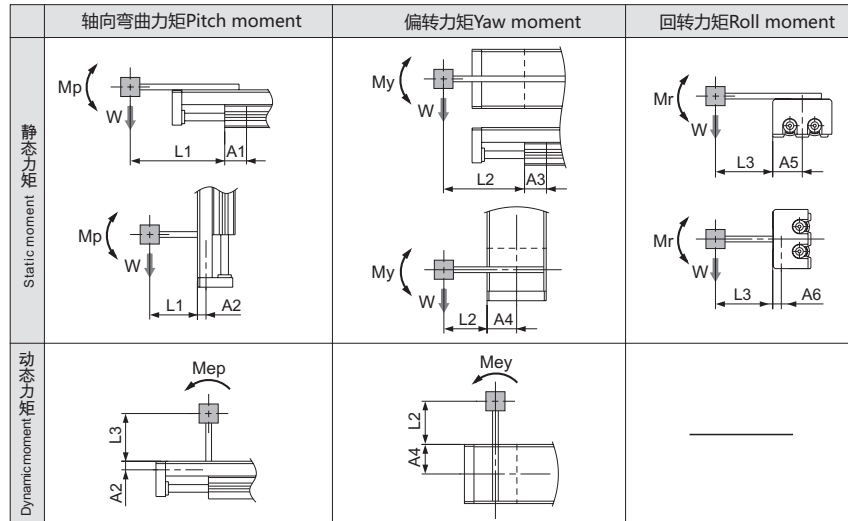


图2 外伸量: Ln(mm)、力矩中心位置距离修正值: An(mm)
Fig. (2) Overhang: Ln (mm), Correction Value of Moment Center Position Distance: An (mm)



注) 静力矩: 由重力产生的力矩
动力矩: 冲击限位器时, 由冲击产生的力矩
Note) Static moment: Moment generated by gravity
Dynamic moment: Moment generated by impact when colliding with stopper

图3 工件安装系数: K
Fig. (3) Workpiece Mounting Coefficient: K

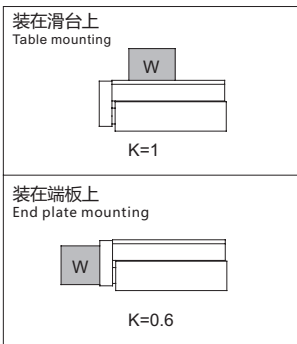


表2 最大允许集中负载质量: Wmax(kg)
Table (2) Maximum Allowable Load Mass: Wmax (kg)

型号 Model	最大允许集中负载质量 Maximum allowable load mass
GMXS6	0.6
GMXS8	1
GMXS12	2
GMXS16	4
GMXS20	6
GMXS25	9

表1 最大允许动能: Emax(J)
Table (1) Maximum Allowable Kinetic Energy: Emax (J)

型号 Model	允许动能 Allowable kinetic energy	
	垫缓冲 Rubber bumper	液压缓冲器 Shock absorber
GMXS6	0.018	-
GMXS8	0.027	0.045
GMXS12	0.055	0.11
GMXS16	0.11	0.22
GMXS20	0.16	0.32
GMXS25	0.24	0.48

图4 允许集中负载质量系数: β
Table (4) Allowable Load Mass Coefficient: β

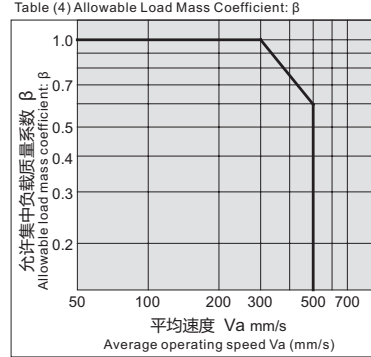


表3 力矩中心位置距离修正值: An(mm)
Table (3) Correction Value of Moment Center Position Distance: An (mm)

型号 Model	力矩中心位置距离修正值 (参见图2) Correction value of moment center position distance (Refer to Figure 2)					
	A1	A2	A3	A4	A5	A6
GMXS6	11	6	13	16	16	6
GMXS8	11	7.5	13	20	20	7.5
GMXS12	24	8.5	26	25	25	8.5
GMXS16	27	10	30	31	31	10
GMXS20	34	14.5	36	38	38	14.5
GMXS25	42	19	44	46	46	19

图5 允许力矩系数: γ
Table (5) Allowable Moment Coefficient: γ

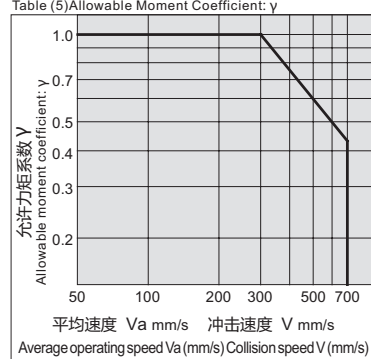


表4 最大允许力矩: Mmax(N·m)
Table (4) Maximum Allowable Moment: Mmax (N·m)

型号 Model	行程 (mm) Stroke (mm)									
	10	20	30	40	50	75	100	125	150	
GMXS6	0.7	1.0	1.2	1.2	1.2	-	-	-	-	
GMXS8	2.0	2.0	2.8	3.6	4.2	4.2	-	-	-	
GMXS12	4.2	4.2	4.2	5.8	7.0	10.0	10.0	-	-	
GMXS16	11.3	11.3	11.3	11.3	15.9	25.0	34.1	34.1	-	
GMXS20	19.4	19.4	19.4	19.4	27.2	35.0	50.5	50.5	50.5	
GMXS25	30.6	30.6	30.6	30.6	42.8	55.1	67.3	67.3	67.3	

记号表 Symbol

记号 Symbol	定义 Definition	单位 Unit
An(n=1-6)	力矩中心位置距离修正值 Correction value of moment center position distance	mm
E	动能 Kinetic energy	J
Ea	允许动能 Allowable kinetic energy	J
Emax	最大允许动能 Max. allowable kinetic energy	J
Ln(n=1-3)	外伸量 Overhang	mm
M(Mp, My, Mr)	静力矩(弯曲、偏转、回转) Static moment (Pitch, Yaw, Roll)	N·m
Ma(Map, May, Mar)	允许静力矩(弯曲、偏转、回转) Allowable static moment (Pitch, Yaw, Roll)	N·m
Me(Mep, Mey)	动力矩(弯曲、偏转) Dynamic moment (Pitch, Yaw)	N·m
Mea(Meap, Meay)	允许动力矩(弯曲、偏转) Allowable dynamic moment (Pitch, Yaw)	N·m
Mmax(Mpmax, Mymax, Mrmax)	最大允许力矩(弯曲、偏转、回转) Max. allowable moment (Pitch, Yaw, Roll)	N·m
V	冲击速度 Collision speed	mm/s

注) 使用平均速度计算静力矩, 使用冲击速度计算动力矩
Note) Use the average operating speed when calculating static moment. Use the collision speed when calculating dynamic moment.

记号 Symbol	定义 Definition	单位 Unit
Va	平均速度 Average operating speed	mm/s
W	集中负载质量 Load mass	kg
Wa	允许集中负载质量 Allowable load mass	kg
We	冲击当量质量 Mass equivalent to impact	kg
Wmax	最大允许集中负载质量 Max. allowable load mass	kg
α	负载率 Load factor	-
β	允许集中负载质量系数 Allowable load mass coefficient	-
γ	允许力矩系数 Allowable moment coefficient	-
δ	垫缓冲系数 Damper coefficient	-
K	工件安装系数 Workpiece mounting coefficient	-

型材 / SUS Tube

支架模组

快换

夹具组件

气动剪刀

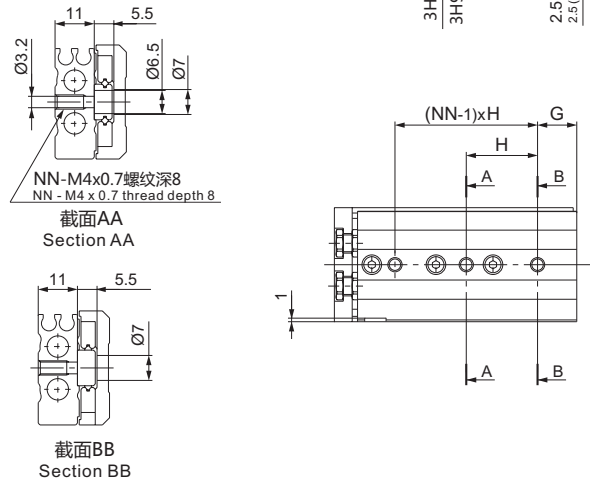
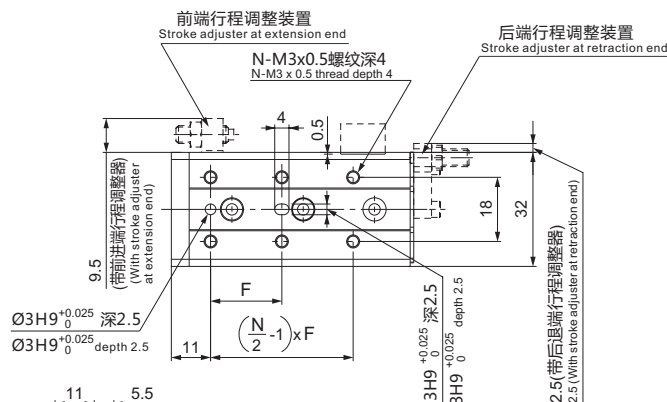
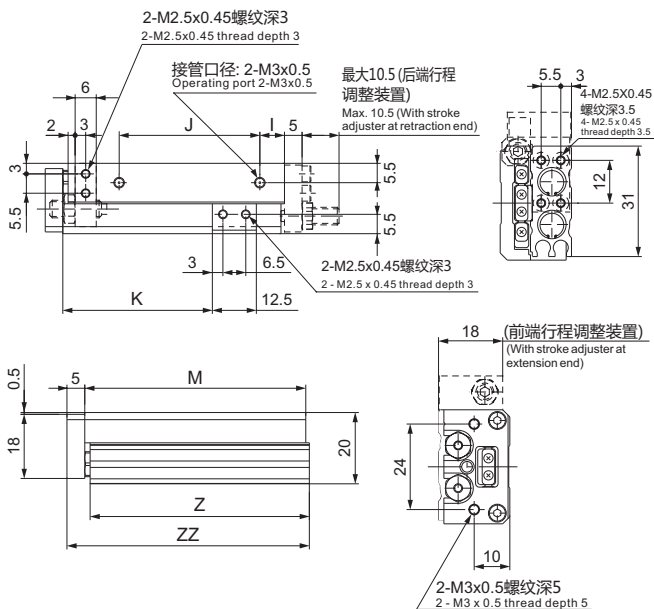
真空组件

附件

气动滑台 GMXS系列 Air Slide Table GMXS Series

型材 / SUS Tube
钢管
支架模组
Stents Module
快换
Quick Changer
夹具组件
Grip Module
气动剪刀
Air Nipper
真空组件
Vacuum Module
附件
Accessory Components

GMXS 6 基础型 GMXS 6 Basic type

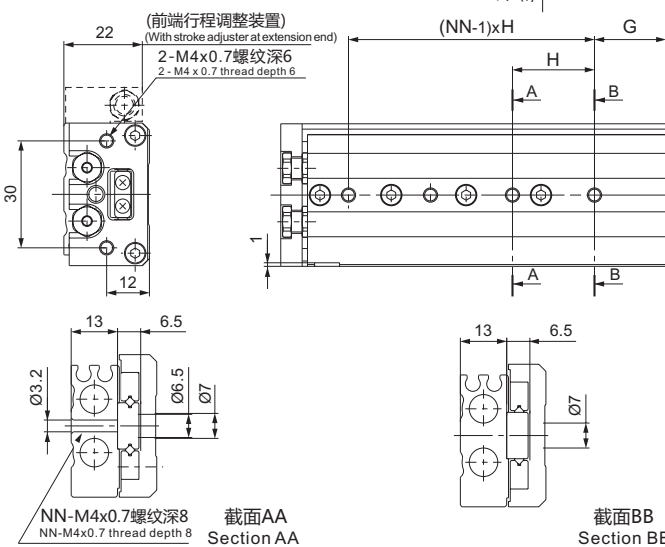
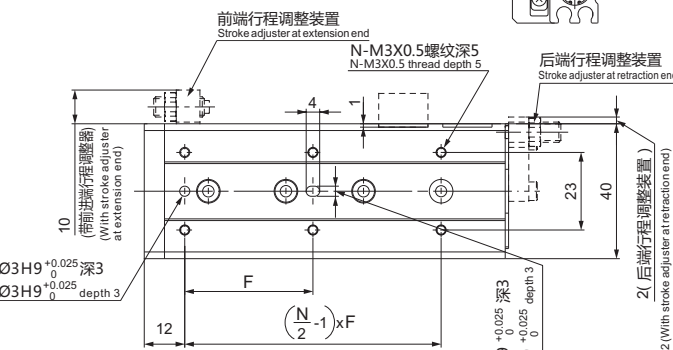
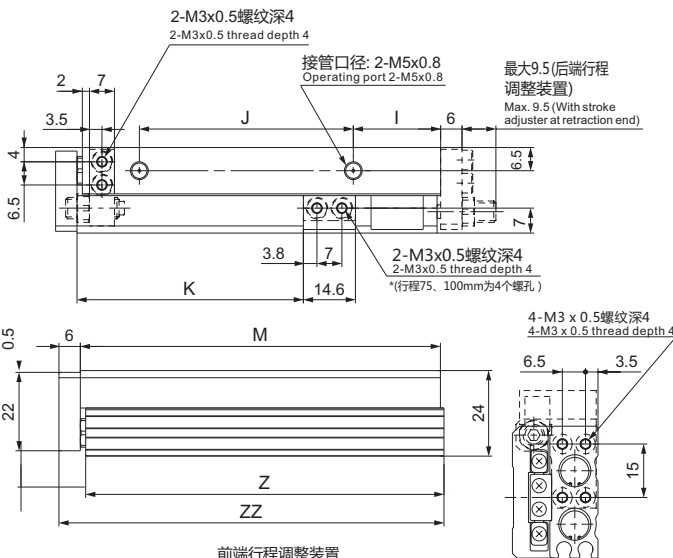


尺寸表 Dimensions (mm)

型号 (Model)	F	N	G	H	NN
GMXS6-10	20	4	6	25	2
GMXS6-20	30	4	6	35	2
GMXS6-30	20	6	11	20	3
GMXS6-40	28	6	13	30	3
GMXS6-50	38	6	17	24	4

型号 (Model)	I	J	K	M	Z	ZZ
GMXS6-10	10	17	22.5	42	41.5	48
GMXS6-20	10	27	32.5	52	51.5	58
GMXS6-30	7	40	42.5	62	61.5	68
GMXS6-40	19	50	52.5	84	83.5	90
GMXS6-50	25	60	62.5	100	99.5	106

GMXS 8 基础型 GMXS 8 Basic type



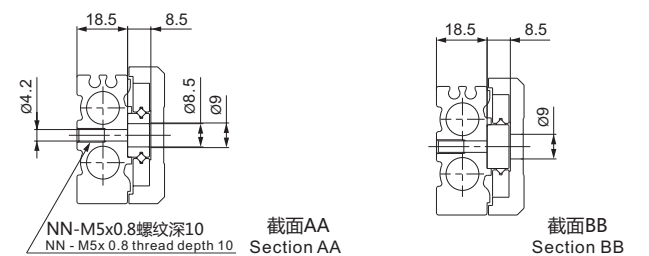
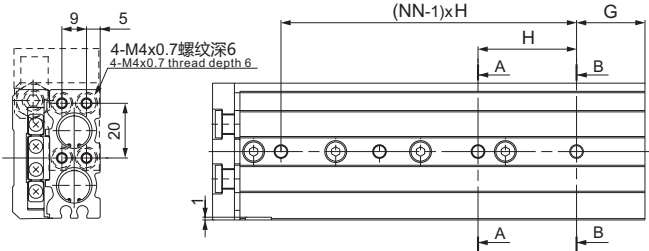
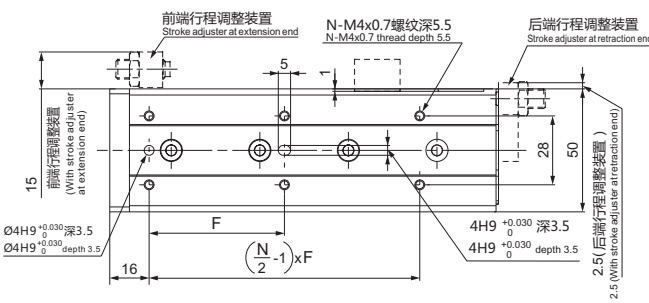
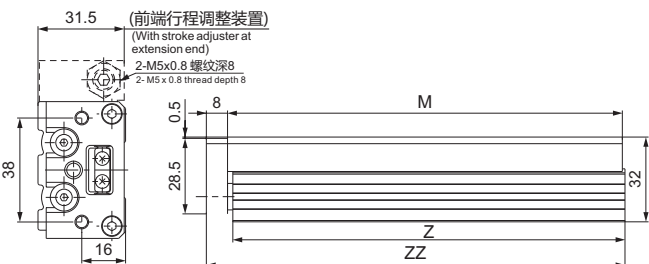
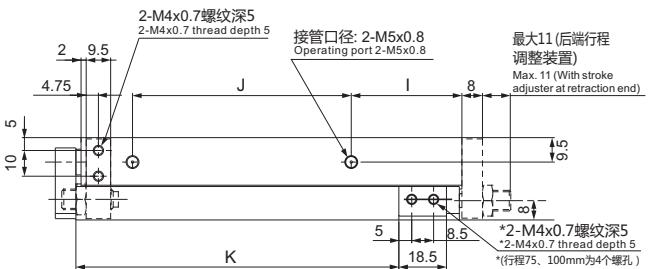
尺寸表 Dimensions (mm)

型号 (Model)	F	N	G	H	NN
GMXS8-10	25	4	9	28	2
GMXS8-20	25	4	12	30	2
GMXS8-30	40	4	13	20	3
GMXS8-40	50	4	15	28	3
GMXS8-50	38	6	20	23	4
GMXS8-75	50	6	27	28	5

型号 (Model)	I	J	K	M	Z	ZZ
GMXS8-10	13	19.5	23.5	49	48.5	56
GMXS8-20	8.5	29	33.5	54	53.5	61
GMXS8-30	9.5	39	43.5	65	64.5	72
GMXS8-40	10.5	56	53.5	83	82.5	90
GMXS8-50	24.5	60	63.5	101	100.5	108
GMXS8-75	38.5	96	88.5	151	150.5	158

气动滑台 GMXS系列 Air Slide Table GMXS Series

GMXS12 基础型 GMXS12 Basic type

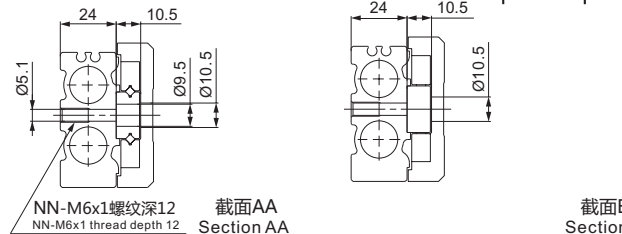
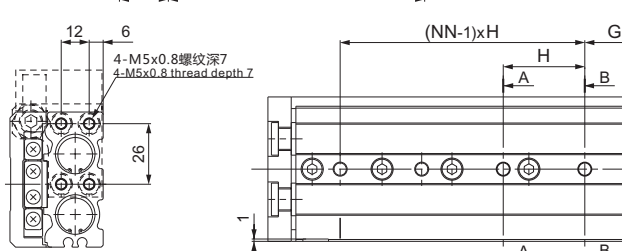
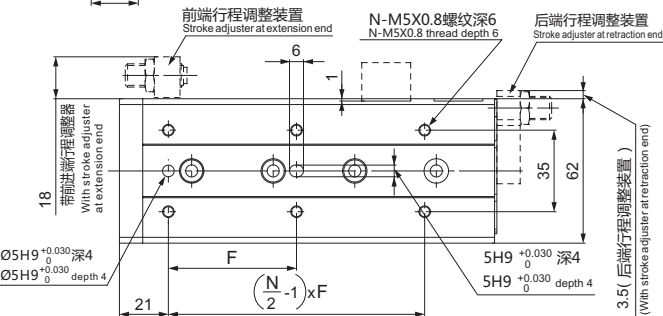
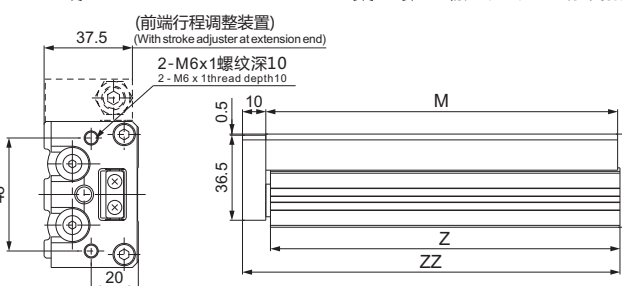
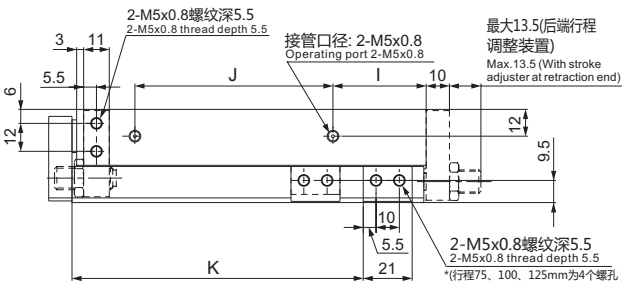


尺寸表 Dimensions (mm)

型号 (Model)	F	N	G	H	NN
GMXS12-10	35	4	15	40	2
GMXS12-20	35	4	15	40	2
GMXS12-30	35	4	15	40	2
GMXS12-40	50	4	17	25	3
GMXS12-50	35	6	15	36	3
GMXS12-75	55	6	25	36	4
GMXS12-100	65	6	35	38	5

型号 (Model)	I	J	K	M	Z	ZZ
GMXS12-10	10	40	26.5	71	70	80
GMXS12-20	10	40	36.5	71	70	80
GMXS12-30	10	40	46.5	71	70	80
GMXS12-40	10	52	56.5	83	82	92
GMXS12-50	22	60	66.5	103	102	112
GMXS12-75	43	85	91.5	149	148	158
GMXS12-100	52	130	116.5	203	202	212

GMXS16 基础型 GMXS16 Basic type



尺寸表 Dimensions (mm)

型号 (Model)	F	N	G	H	NN
GMXS16-10	35	4	16	40	2
GMXS16-20	35	4	16	40	2
GMXS16-30	35	4	16	40	2
GMXS16-40	40	4	16	50	2
GMXS16-50	30	6	21	30	3
GMXS16-75	55	6	26	35	4
GMXS16-100	65	6	39	35	5
GMXS16-125	70	8	19	35	7

型号 (Model)	I	J	K	M	Z	ZZ
GMXS16-10	10	40	29	76	75	87
GMXS16-20	10	40	39	76	75	87
GMXS16-30	10	40	49	76	75	87
GMXS16-40	10	50	59	86	85	97
GMXS16-50	15	60	69	101	100	112
GMXS16-75	40	85	94	151	150	162
GMXS16-100	55	118	119	199	198	210
GMXS16-125	68	155	144	249	248	260

型材 / SUS Tube

支架模组

快换

夹爪组件

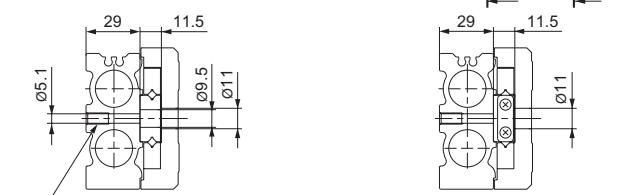
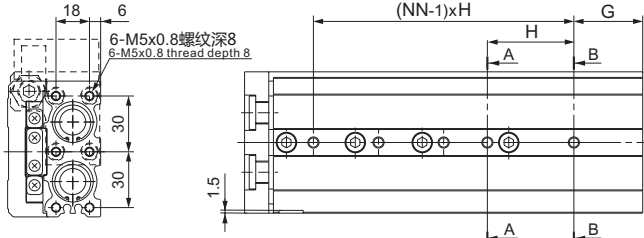
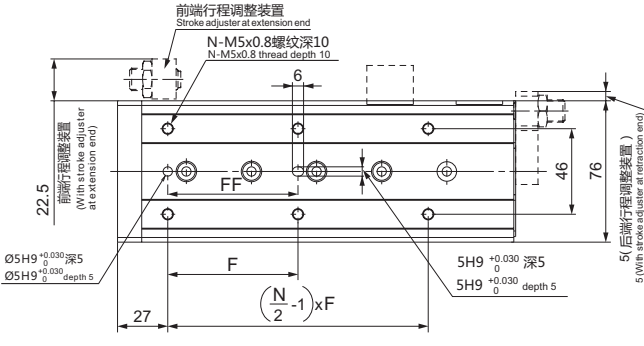
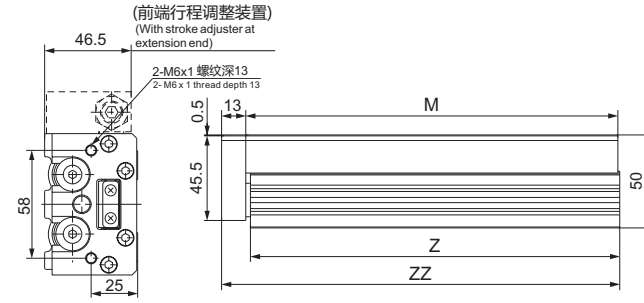
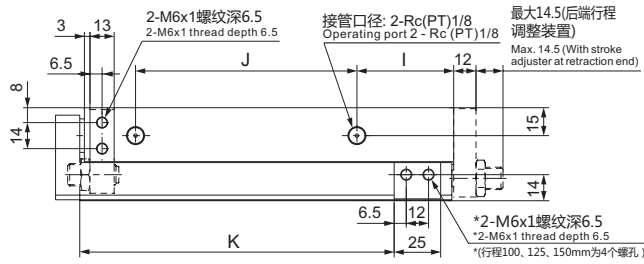
气动剪刀

真空组件

附件

气动滑台 GMXS系列 Air Slide Table GMXS Series

GMXS20 基础型 GMXS20 Basic type

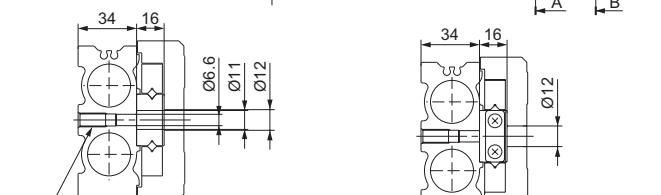
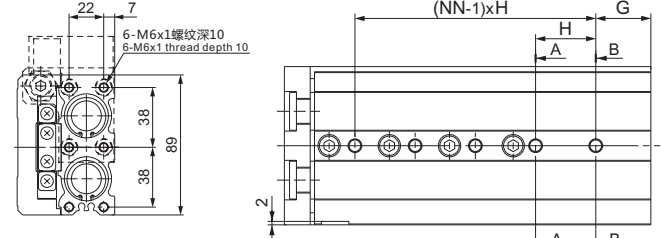
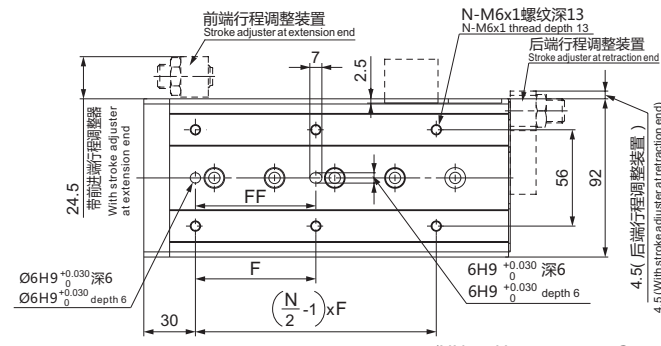
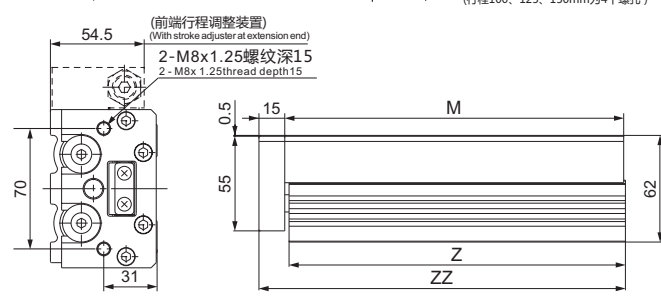
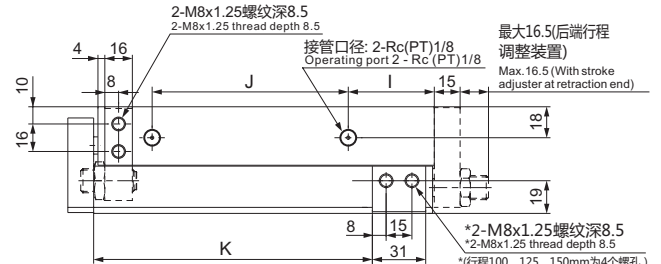


尺寸表 Dimensions (mm)

型号 (Model)	F	FF	N	G	H	NN
GMXS20-10	50	40	4	15	45	2
GMXS20-20	50	40	4	15	45	2
GMXS20-30	50	40	4	15	45	2
GMXS20-40	60	50	4	15	55	2
GMXS20-50	35	35	6	15	35	3
GMXS20-75	60	60	6	19	35	4
GMXS20-100	70	70	6	37	35	5
GMXS20-125	70	70	8	41	38	6
GMXS20-150	80	80	8	19	44	7

型号 (Model)	I	J	K	M	Z	ZZ
GMXS20-10	10	44	31	83	81.5	97
GMXS20-20	10	44	41	83	81.5	97
GMXS20-30	10	44	51	83	81.5	97
GMXS20-40	10	54	61	93	91.5	107
GMXS20-50	10	69	71	108	106.5	122
GMXS20-75	10	108	96	147	145.5	161
GMXS20-100	58	113	121	200	198.5	214
GMXS20-125	70	155	146	254	252.5	268
GMXS20-150	87	190	171	306	304.5	320

GMXS25 基础型 GMXS25 Basic type



尺寸表 Dimensions (mm)

型号 (Model)	F	FF	N	G	H	NN
GMXS25-10	50	40	4	22	45	2
GMXS25-20	50	40	4	22	45	2
GMXS25-30	50	40	4	22	45	2
GMXS25-40	60	50	4	22	55	2
GMXS25-50	35	35	6	20	35	3
GMXS25-75	60	60	6	26	35	4
GMXS25-100	70	70	6	32	35	5
GMXS25-125	75	75	8	40	38	6
GMXS25-150	80	80	8	30	40	7

型号 (Model)	I	J	K	M	Z	ZZ
GMXS25-10	12	47	35	92	90.5	108
GMXS25-20	12	47	45	92	90.5	108
GMXS25-30	12	47	55	92	90.5	108
GMXS25-40	12	57	65	102	100.5	118
GMXS25-50	12	70	75	115	113.5	131
GMXS25-75	33	90	100	156	154.5	172
GMXS25-100	50	114	125	197	195.5	213
GMXS25-125	67	155	150	255	253.5	271
GMXS25-150	82	180	175	295	293.5	311

型材
SUS Tube

支架
Stents Module

快换
Quick Changer

夹具
Grip Module

气动
Air Nipper

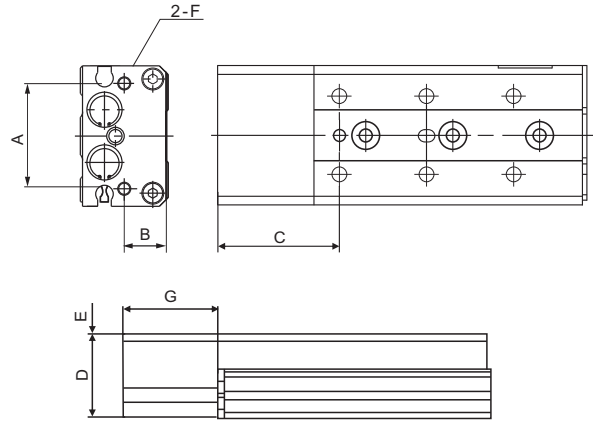
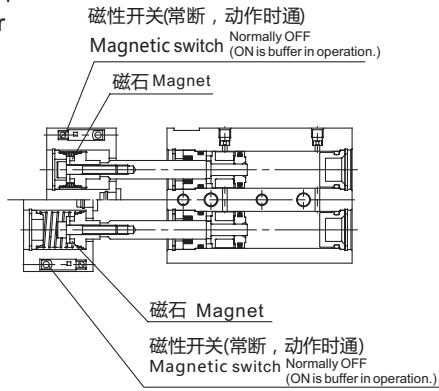
真空
Vacuum Module

附件
Accessory Components

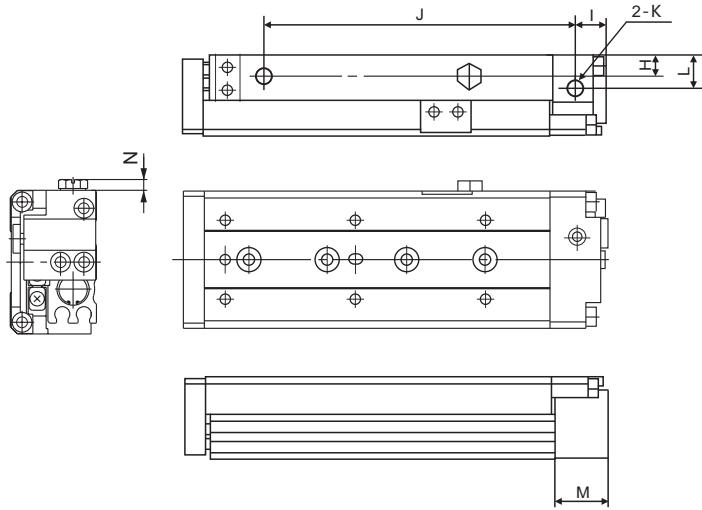
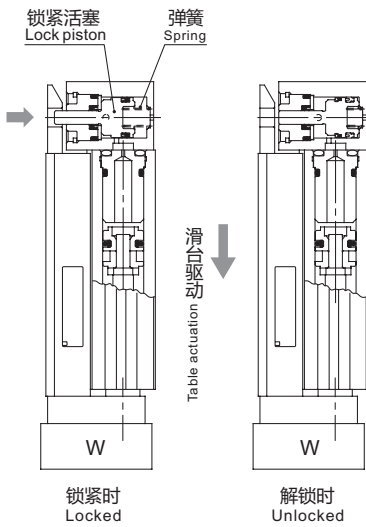
气动滑台 GMXS系列 Air Slide Table GMXS Series

功能可选项 / Functional option

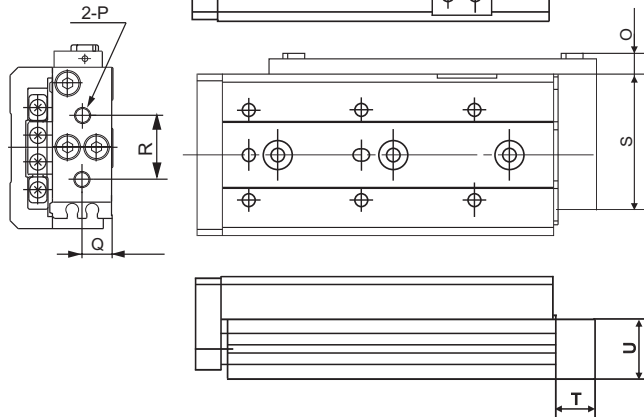
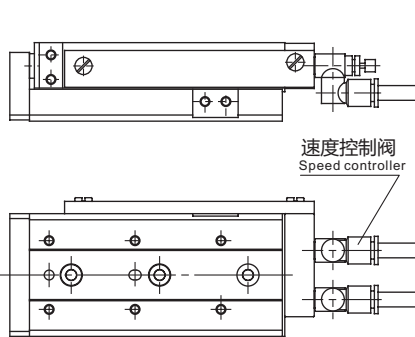
F- 带弹簧缓冲
F-With buffer



R- 带端锁
R-With end lock



P- 轴向接管
P-Axial piping type



尺寸表 Dimensions

(mm)

型号 (Model)	A	B	C	D	E	F	G	H	I	J						K	L	M	N	O	P	Q	R	S	T	U			
										10	20	30	40	50	75												100	125	150
GMXS6	24	10	28	19	0.5	M3x0.5	22	-	-	-	-	-	-	-	-	-	-	-	5.6	M3x0.5	5.5	12	32	8	11.5				
GMXS8	30	12	28.5	22.5	0.5	M4x0.7	22.5	6.5	9	39	44	55	73	91	141	-	-	-	M3x0.5	10	15.5	3	6.5	M5x0.8	6.5	15	40	12	13.5
GMXS12	38	16	37	30	0.5	M5x0.8	29	9.5	10.5	59.5	59.5	59.5	71.5	91.5	137.5	191.5	-	-	M5x0.8	14.5	20	3	6.5	M5x0.8	9.5	20	50	12	18.7
GMXS16	48	20	41	37.5	0.5	M6x1	30	12	13	62	62	62	72	87	137	185	235	-	M5x0.8	18	25	3	6.5	M5x0.8	12	26	62	12	23.5
GMXS20	58	25	44.5	45.5	0.5	M6x1	30.5	15	15.5	68.5	68.5	68.5	78.5	93.5	132.5	185.5	239.5	239.5	Rc1/8	20	30	-	11.5	Rc1/8	15	32	76	20	29.5
GMXS25	70	31	50	55	0.5	M8x1.25	35	18	18	76	76	76	86	99	140	181	239	239	Rc1/8	25.5	35	-	11.5	Rc1/8	18	40	92	20	35.5

型材 / SUS Tube

支架模组

快换

夹具组件

气动剪刀

真空组件

附件

小型气动滑台 (直线导轨) GMXH系列 Miniature Air Slide Table Linear Guide GMXH Series

型材 / SUS Tube

支架模组

快换

夹具组件

气动剪刀

真空组件

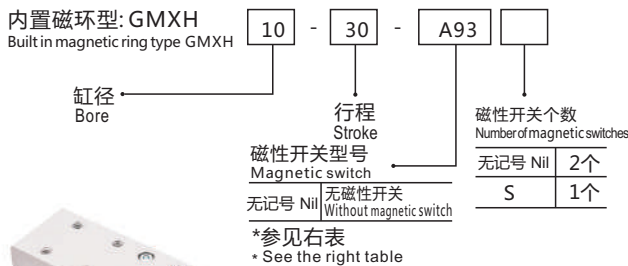
附件



- *装上线性导向轴承, 提高活塞杆不回转精度。
- *标准型内置磁环, 可安装行程感应磁性开关。
- *可从三面连接气源。
- *可两面安装磁性开关。
- *标准型两端橡胶缓冲。
- *允许力矩为GMXU系列的六倍。

- *Install linear guide bearing to improve the accuracy of non-rotative of piston rod
- *Standard built-in magnetic ring, can install magnetic switch of stroke testing
- *Can connect to air from three sides
- *Can install magnetic switch from two sides
- *Standard rubber buffer at both ends
- *Allowable torque is 6 times of GMXU series

型号表示方法 Model representation methods



小型线性导向轴承改善
气缸线性运动的精度
Miniature linear guide bearing
improve the accuracy of linear
motion of cylinder

缸径 Bore size (mm)	6	10	16	20
导向轴承宽度 Guide bearing width	5	7	9	12
使用流体 Fluid	空气 Air			
动作方式 Action	双作用 Double acting			
最低使用压力 Minimum operating pressure	0.15MPa	0.06MPa	0.05MPa	
最高使用压力 Maximum operating pressure	0.7MPa			
环境和流体温度 Ambient and fluid temperatures	不带磁性开关: -10~+70°C (但未冻结) 带磁性开关: -10~+60°C (No freezing) Without magnetic switch: -10 to 70°C With magnetic switch: -10 to 60°C			
活塞速度 Piston speed	50~500mm/s			
允许动能 J Allowable kinetic energy (J)	0.0125	0.025	0.05	0.1
*润滑 Lubrication	不需要 Non-lube			
缓冲 Cushion	两端带橡胶缓冲 Rubber bumper on both ends			
行程长度公差 (mm) Stroke length tolerance	+1.0 0			
磁性开关选择 Magnetic switch (Option)	舌簧型: D-A9□, 固态电子型: D-M9□ Reed Magnetic switch D-A9□ Solid state Magnetic switch D-M9□			
配管连接口径 Piping port size	M5 x 0.8			

*如需润滑, 请用透平1号油 ISOVG32。

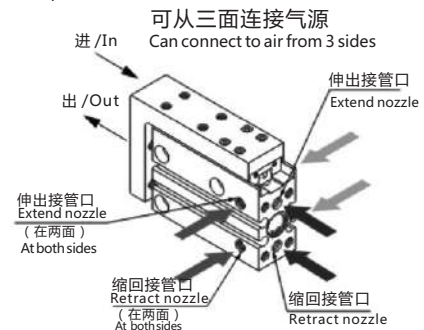
*Please use turbine No.1 oil ISOVG32 if need.

行程/磁性开关选择 Stroke/magnetic switch selection

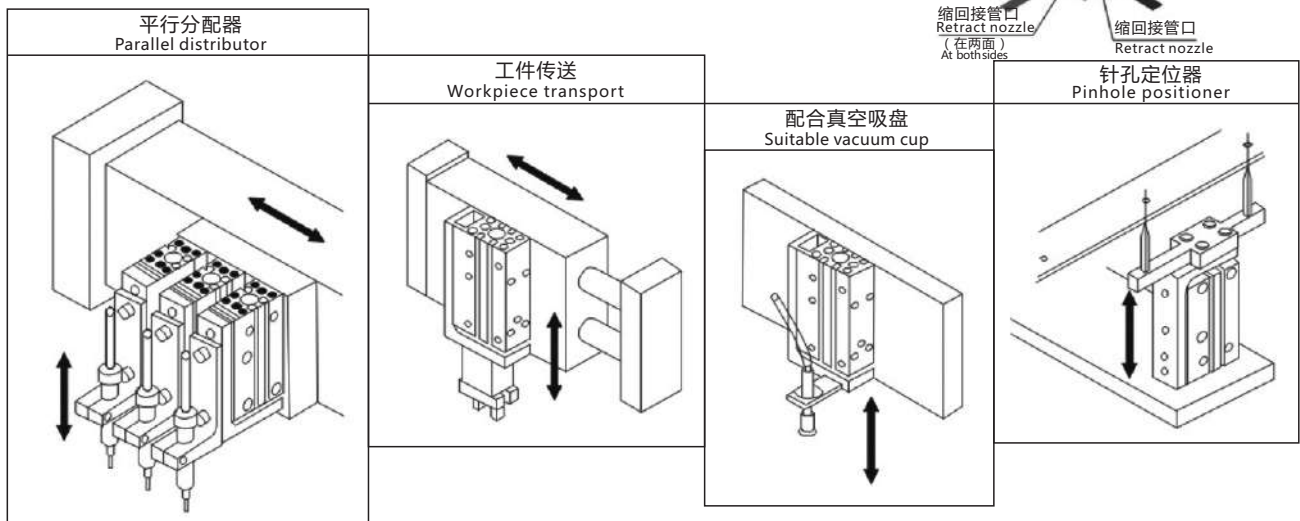
缸径 (mm)	标准行程 (mm) Standard stroke (mm)	直接安装型磁性开关 Direct mount type of magnetic switch	
		2线 2-wire	3线 3-wire
6	5, 10, 15, 20, 25, 30, 40, 50, 60	D-M9B	D-M9N
10		D-M9BL	D-M9NL
16		D-M9BV	D-M9NV
20		D-M9BVL	D-M9NVL

注) 磁性开关规格及特征可参阅磁性开关的系列, 在磁性开关型号的末尾, 附导线长度记号: 无记号 -0.5m, L-3m, Z-5m, 例: A93L。

Note) The specification and characteristics of magnetic switch can refer to the series of magnetic switch. At the end of the model of magnetic switch, the length mark of conductor is attached: Nomark-0.5m, L-3m, Z-5m Example: A93L

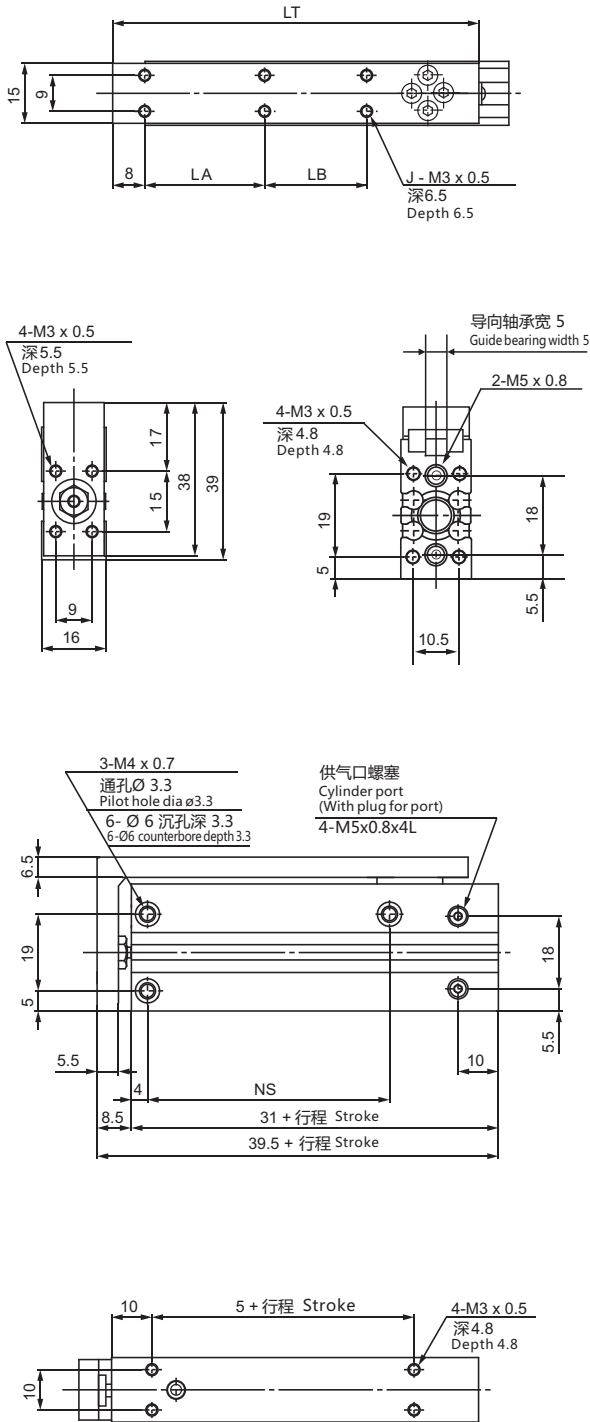


应用/Application

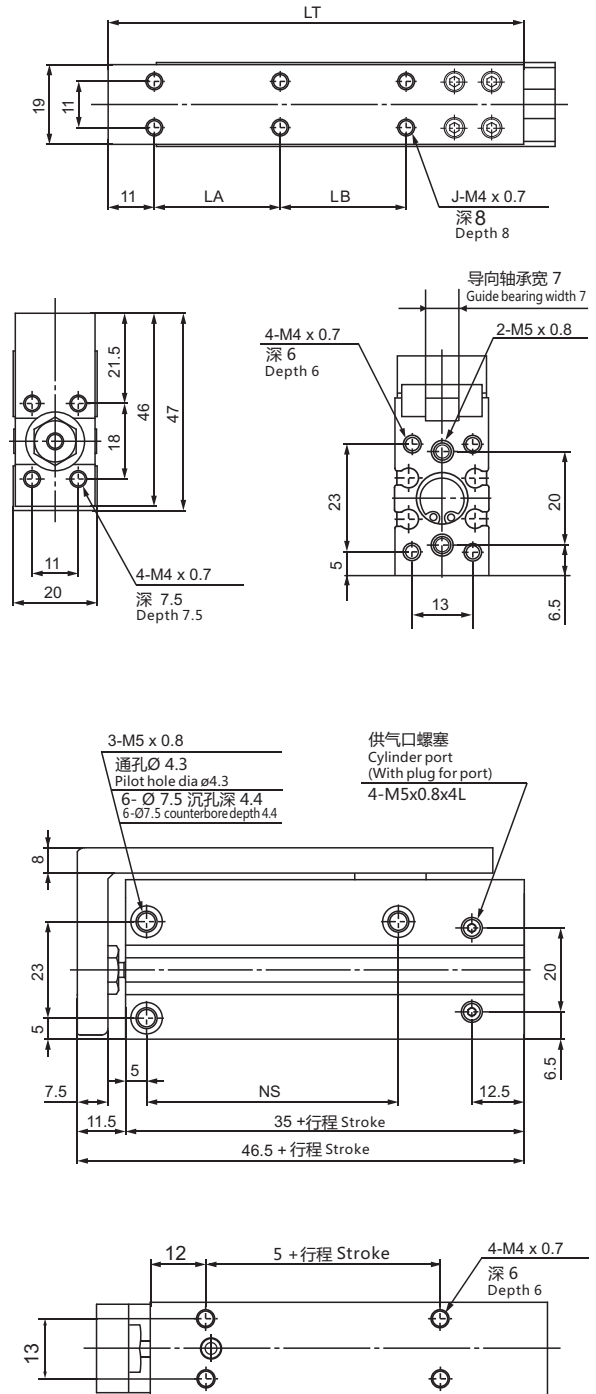


小型气动滑台 (直线导轨) GMXH系列 Miniature Air Slide Table Linear Guide GMXH Series

GMXH6



GMXH10



尺寸表 Dimensions

(mm)

型号 (Model)	行程Stroke	J	LA	LB	LT	NS
GMXH6-5Z	5	4	10	-	42	14
GMXH6-10Z	10	4	10	-	42	14
GMXH6-15Z	15	4	20	-	52	24
GMXH6-20Z	20	4	20	-	52	24
GMXH6-25Z	25	4	30	-	62	30
GMXH6-30Z	30	4	30	-	62	30
GMXH6-40Z	40	6	20	20	72	45
GMXH6-50Z	50	6	25	25	82	55
GMXH6-60Z	60	6	30	30	92	60

尺寸表 Dimensions

(mm)

型号 (Model)	行程Stroke	J	LA	LB	LT	NS
GMXH10-5Z	5	4	10	-	49	14
GMXH10-10Z	10	4	10	-	49	14
GMXH10-15Z	15	4	20	-	59	24
GMXH10-20Z	20	4	20	-	59	24
GMXH10-25Z	25	4	30	-	69	30
GMXH10-30Z	30	4	30	-	69	30
GMXH10-40Z	40	6	20	20	79	45
GMXH10-50Z	50	6	25	25	89	55
GMXH10-60Z	60	6	30	30	99	60

型材 / SUS Tube

支架模组

快速换刀

夹具组件

气动剪刀

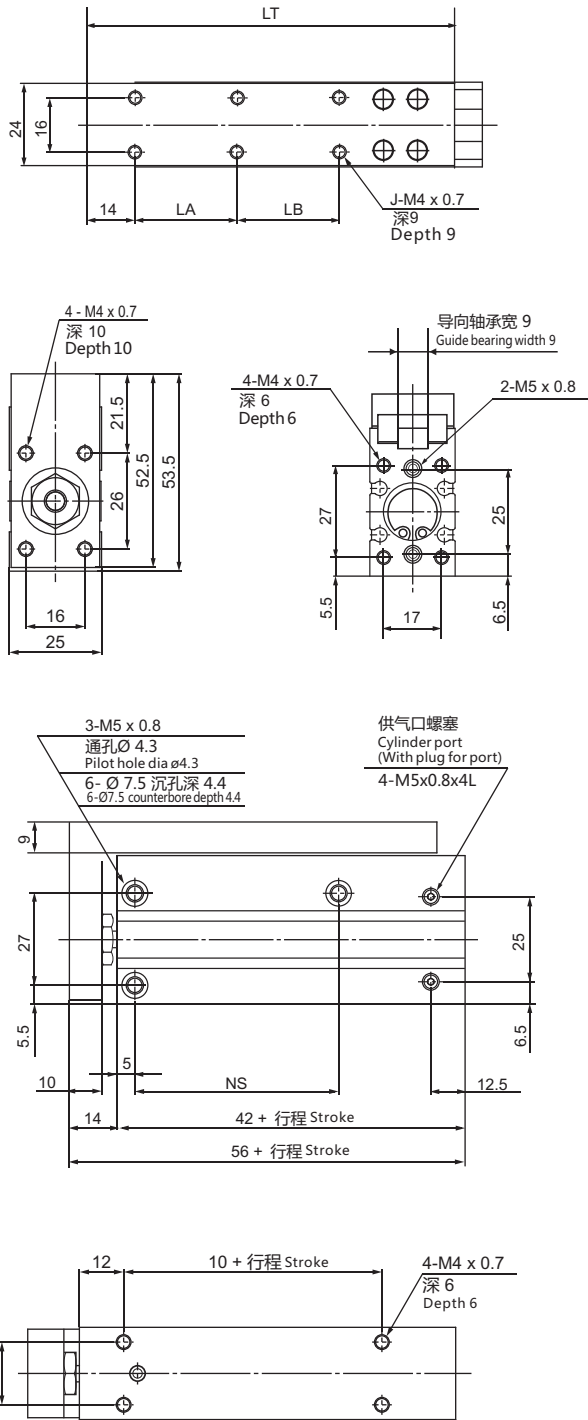
真空组件

附件

小型气动滑台 (直线导轨) GMXH系列 Miniature Air Slide Table Linear Guide GMXH Series

型材 / SUS Tube
 支架模组
 快速换刀
 夹具组件
 气动剪刀
 真空组件
 附件

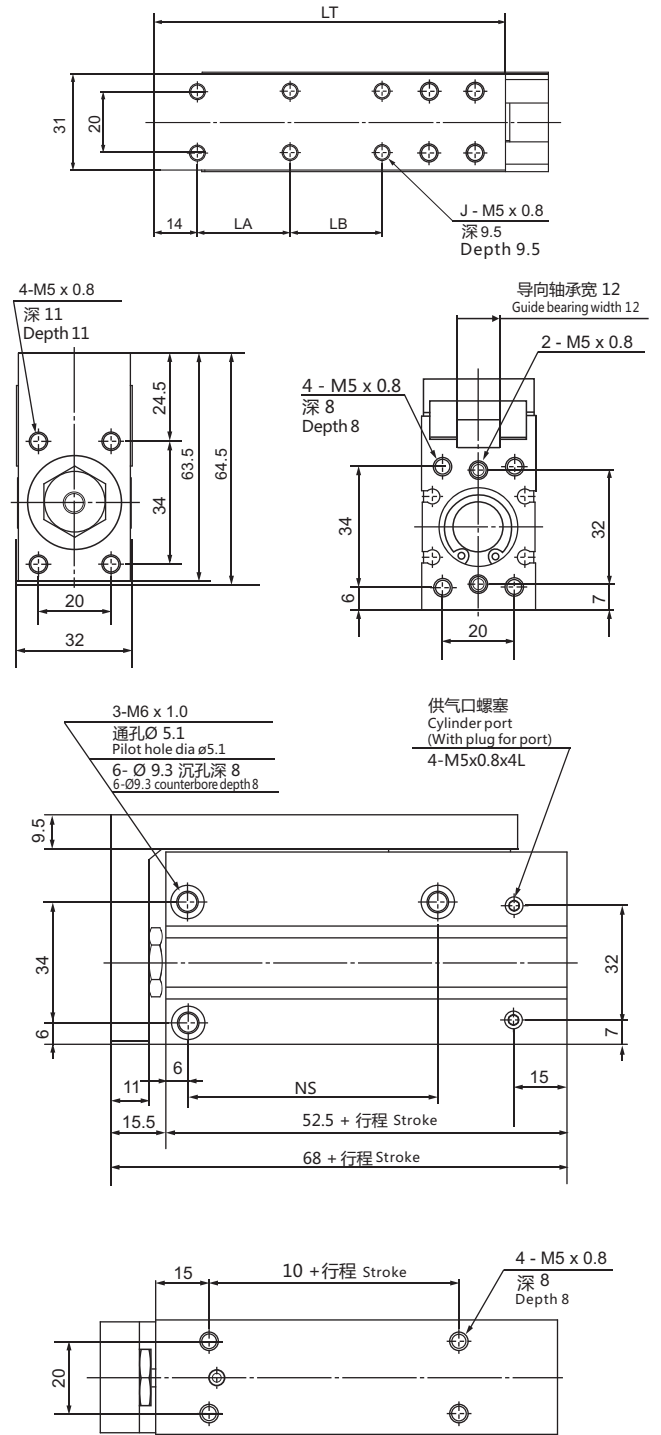
GMXH16



尺寸表 Dimensions (mm)

型号 (Model)	行程Stroke	J	LA	LB	LT	NS
GMXH16-5Z	5	4	10	-	58	20
GMXH16-10Z	10	4	10	-	58	20
GMXH16-15Z	15	4	20	-	68	30
GMXH16-20Z	20	4	20	-	68	30
GMXH16-25Z	25	4	30	-	78	40
GMXH16-30Z	30	4	30	-	78	40
GMXH16-40Z	40	6	20	20	88	50
GMXH16-50Z	50	6	25	25	98	60
GMXH16-60Z	60	6	30	30	108	60

GMXH20



尺寸表 Dimensions (mm)

型号 (Model)	行程Stroke	J	LA	LB	LT	NS
GMXH20-5Z	5	4	10	-	64	20
GMXH20-10Z	10	4	10	-	64	20
GMXH20-15Z	15	4	20	-	74	25
GMXH20-20Z	20	4	20	-	74	25
GMXH20-25Z	25	4	30	-	84	40
GMXH20-30Z	30	4	30	-	84	40
GMXH20-40Z	40	6	20	20	94	50
GMXH20-50Z	50	6	25	25	104	70
GMXH20-60Z	60	6	30	30	114	70