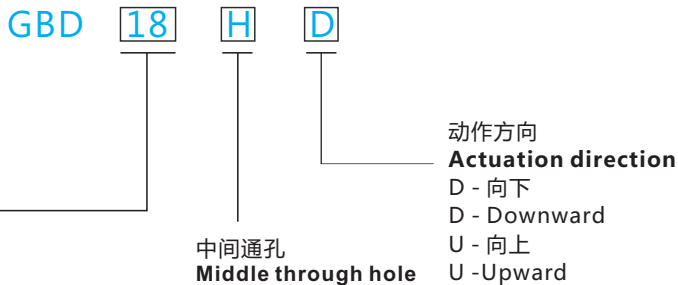


鼓胀器 Bulging Device

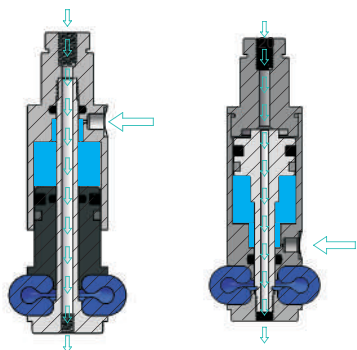
型号表示方法

Model representation methods



向下或向上。
橡皮圈部分可由硅橡胶制成。
夹取尺寸可从18 到 31 mm不等。
多种安装附件。

Downward movement, or Upward movement.
The elastic part can be in Silicone or Rubber.
Grip diameters from 18 to 31 mm.
Several mounting accessories.



GBD...HD

GBD...HU

过孔
H型号拥有一个中央过孔。可吹送压缩空气，或通过冷却部件或检查泄露的方式提供真空。

Through hole for fastening
The ...H models have a central through hole. It can be used to blow compressed air, or to provide vacuum, with the purpose to cool a part, or to check the leakage.

硅橡胶 Silicone rubber

橡胶圈部分采用蓝色硅橡胶或透明硅橡胶。
硅橡胶可提供较高的温度范围，确保较长的使用寿命。
硅橡胶(蓝色或透明)橡胶圈可作为备件，磨损后可替换。
硅橡胶制成的橡胶圈预计可使用100万次。

The elastic part can be in blue Silicone, or transparent silicone.
Silicone can be used over a wider temperature range and assures a longer life time.
The elastic part in Silicone is available as a spare part and can be replaced, when worn out.
The expected medium life time of the elastic part in Silicone is about 1 million cycles.

备用的橡胶圈部件
Spare elastic part



橡胶圈出货时可有客户选定
Silicone can be shipped by customers

| 规格(Spec.) | Ø18 | Ø22 |
|---------------------|-------------------|----------|
| 型号(Model) | 18-S1 | 22-S1 |
| 货号(PN) | 4.Y00470 | 4.Y00471 |
| 型号(Model) | 18-S2 | 22-S2 |
| 货号(PN) | 4.Y00472 | 4.Y00473 |
| 鼓胀器(Bulging device) | GBD18U GBD18HD | GBD22HU |

T-橡胶圈部件的操作温度(夹具主体5~60°C)

T - Operating temperature of the elastic part (5~60°C for the gripper body)

型材 / SUS Tube

支架模组

快换

夹具组件

气动剪刀

真空组件

附件

膨胀器 Bulging Device

型材 / SUS Tube

支架模组

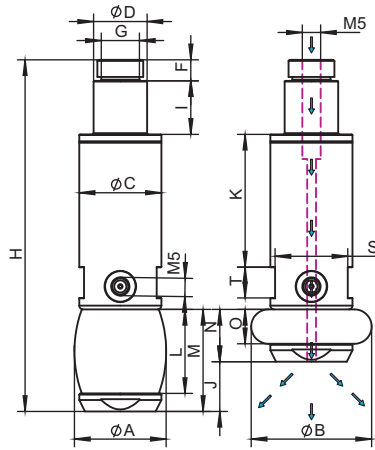
快换

夹具组件

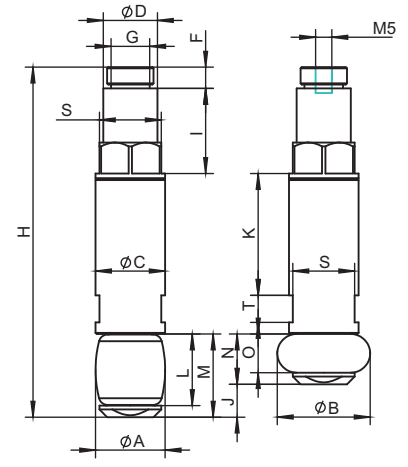
气动剪刀

真空组件

附件

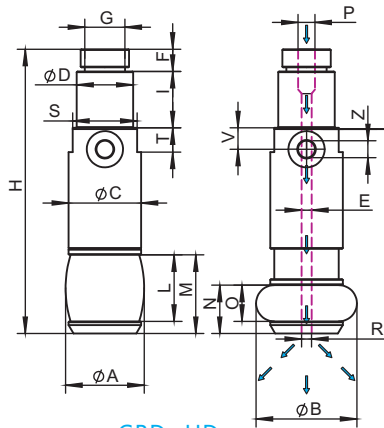


GBD...HU



GBD...U

| 货号(PN) | 型号(Model) | ØA | ØB | ØC | ØD | F | G | H | I | J | K | L | M | N | O | S | T | 重量 |
|----------|-----------|----|------|------|----|-----|-------|------|----|-----|------|------|------|------|----|----|---|-------|
| 8.Y00212 | GBD18U | 18 | 24 | 18 | 14 | 5.5 | M12×1 | 90.5 | 22 | 8.5 | 31.5 | 18.5 | 21.5 | 13 | 10 | 16 | 7 | 39.7g |
| 8.Y00058 | GBD22HU | 24 | 31.5 | 21.3 | 14 | 5.5 | M12×1 | 92 | 14 | 13 | 34.8 | 22 | 26.7 | 13.7 | 9 | 19 | 8 | 53.8g |



GBD...HD

| 货号(PN) | 型号(Model) | ØA | ØB | ØC | ØD | ØE | F | G | H | I | L | M | N | O | P | R | S | T | V | Z | 重量 |
|----------|-----------|------|----|----|----|-----|-----|-------|------|----|------|------|----|---|----|----|----|---|-----|----|-------|
| 8.Y00057 | GBD18HD | 19.5 | 25 | 18 | 14 | 2.5 | 5.5 | M12×1 | 70.5 | 14 | 16.5 | 19.5 | 12 | 9 | M5 | M3 | 16 | 6 | 5.3 | M5 | 27.4g |

运用实例 / Application example

