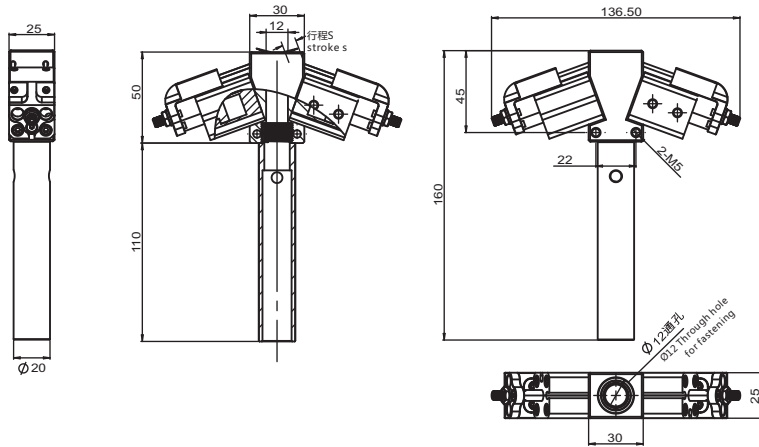


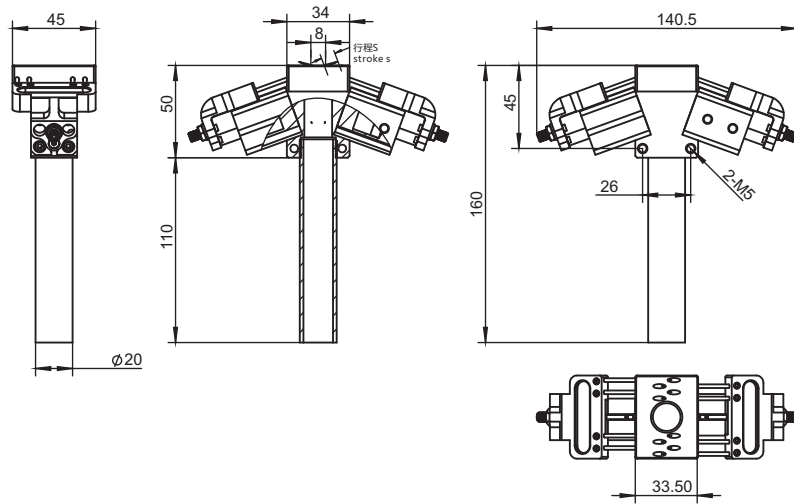
# 气动针夹 (GN系列) Pneumatic Needle Gripper(Series GN)



GN2010  
4针



GN2010-8  
8针



多用于汽车行业的无纺布埋入，也可用于网布、海棉等物体的取出或埋入。

钢针的伸出长度可调节，且可以根据客户要求定制非标的钢针长度。

*Being used for embedding and taking out nonwoven fabric, net cloth and sponge. The length of the steel needle can be not only adjustable, but also customized according to the requirements of the customer.*

货号(PN)	8.Y00025	8.Y00347
型号(Model)	GN2010	GN2010-8
介质 Medium	已过滤，润滑型 / 未润滑型压缩空气 Filtered, lubricated / non lubricated compressed air	
压力范围 Pressure range	3 ~ 8 bar	
温度范围 Temperature range	-10° ~ 70 °C.	
6 bar压力下打开总夹取力 Opening total gripping force at 6 bar	90 N	
针状行程S Needle stroke s	0 ~ 10 mm	
循环空气消耗量 Cycle air consumption	3.5 cm <sup>3</sup>	
重量 Weight	274g	317g

型材 / SUS Tube

支架模组  
Stents Module

快换  
Quick Changer

夹具组件  
Grip Module

气动剪刀  
Air Nipper

真空组件  
Vacuum Module

附件  
Accessory Components

# 气动针夹 (GN系列) Pneumatic Needle Gripper(Series GN)

Profile / SUS Tube

Stents Module

Quick Changer

Grip Module

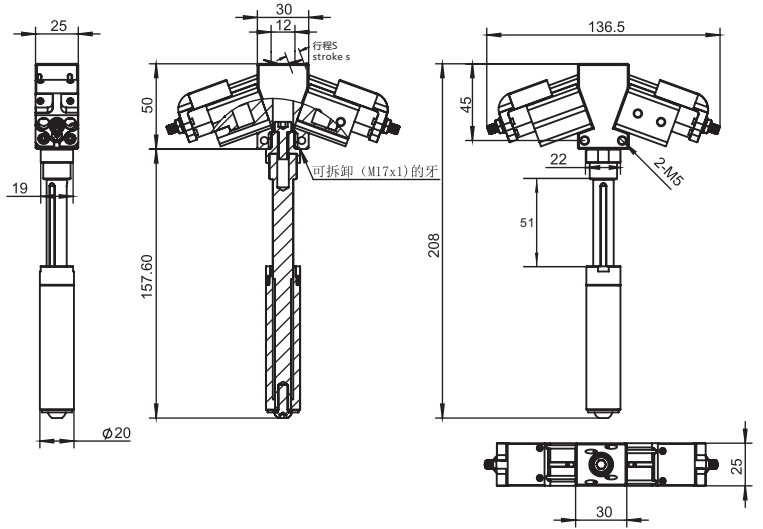
Air Nipper

Vacuum Module

Accessory Components



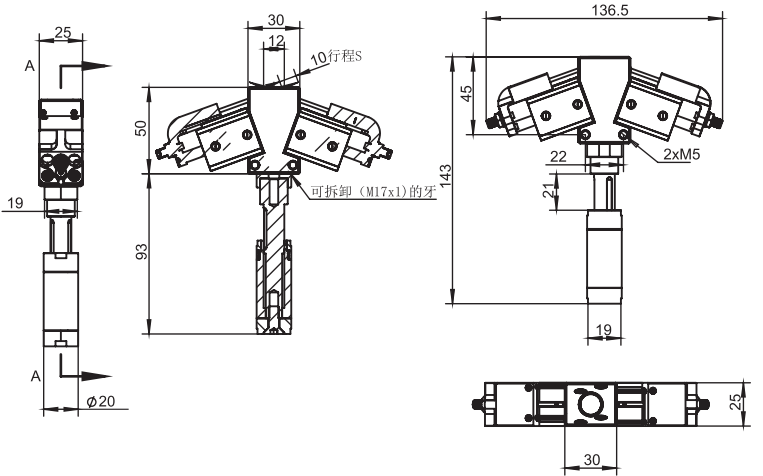
GN2010-S51  
4针



**NEW**



GN2010-S21  
4针



多用于汽车行业的无纺布埋入，也可用于网布、海绵等物体的取出或埋入。

钢针的伸出长度可调节，且可以根据客户要求定制非标的钢针长度。

*Being used for embedding and taking out nonwoven fabric, net cloth and sponge. The length of the steel needle can be not only adjustable, but also customized according to the requirements of the customer.*

货号(PN)	8.Y00341	8.Y00440
型号(Model)	GN2010-S51	GN2010-S21
介质 Medium	已过滤，润滑型 / 未润滑型压缩空气 Filtered, lubricated / non lubricated compressed air	
压力范围 Pressure range	3 ~ 8 bar	
温度范围 Temperature range	-10° ~ 70 °C.	
6 bar压力下打开总夹取力 Opening total gripping force at 6 bar	90 N	
针状行程S Needle stroke s	0 ~ 10 mm	
循环空气消耗量 Cycle air consumption	3.5 cm <sup>3</sup>	
重量 Weight	240g	220g